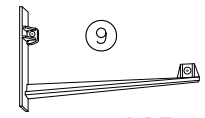
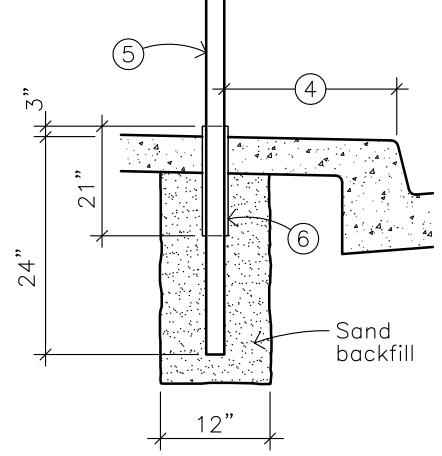


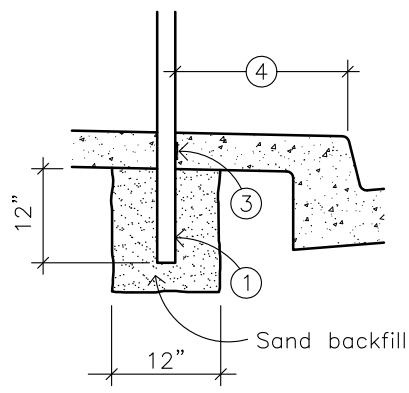
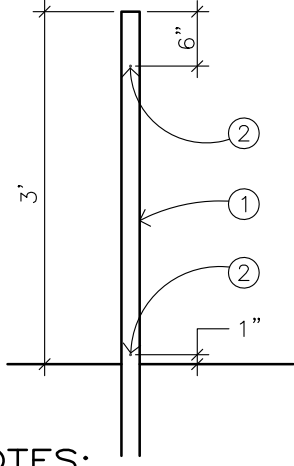
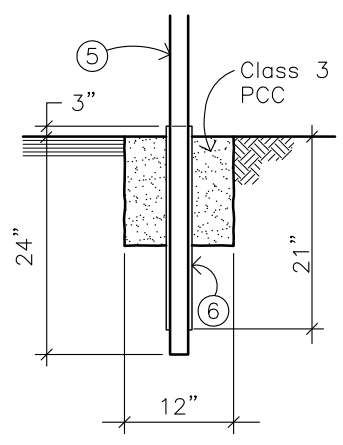
POST-TOP BRACKETS



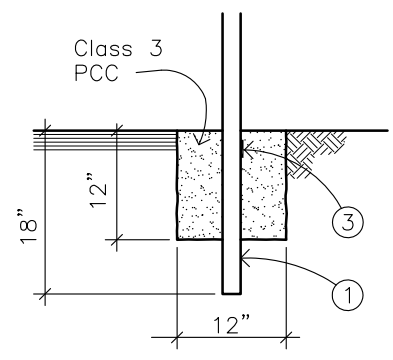
SIDE-MOUNT BRACKET



METAL SIGN POST



PARKING METER POST



NOTES:

- ① 2" galvanized steel pipe
- ② Drain hole, 1/4" diameter, on one side only.
- ③ #4 rebar, 2" long, welded to pipe 10" from bottom.
- ④ 15" standard setback. 22" if sign is more than 15" wide or if post is in Mission Tile sidewalk.
- ⑤ 2" galv. metal post FHWA (Breakaway) approved - such as 14g, Qwik-Punch or equal. Posts shall be industrial powder coated only under the following conditions:
 - Downtown, no street name sign located at post: Forest Green RAL 6009 or equal
 - Downtown, street name sign located at post: Brown RAL 8024 or equal
 - Railroad District: Red-Brown RAL 8016 or equal.
- ⑥ Heavy Duty Galvanized Steel Sleeve such as Pacific Products or approved equal. Steel: ASTM A500 Grade B; Galvanizing: ASTM 123 2 1/2" x 2 1/2" x 24" one piece anchor with pointed end 3/16" minimum wall thickness 7/16" holes, all 4 sides at 1" below top. No holes are allowed in the underground portion of sleeve. Attach sign post to sleeve with a 3/8"-drive rivet w/ a 1"-washer, or approved equal.
- ⑦ When sign or parking meter is to be located in sidewalk see Engineering Standard #7410 for "clear zone" restrictions.
- ⑧ Brackets: 2" square, 12" length post top mounted sign bracket. Bolted to post and sign with vandal proof bolts. Safeway Sign Style 812 or approved equal.
- ⑨ Side mounting Bracket. - Standoff bracket Safeway Sign style 1010 or approved equal.

REVISIONS	BY	APP	DATE
Galvanized Sleeve Specs.	SR	JDW	10-03
Powder coat conditions	JDL	JDW	10-02
Revise Note 6	DVB	BL	11-08
STANDARD CURRENT AS OF:		January 2010	



METAL SIGN & PARKING METER POSTS

7210