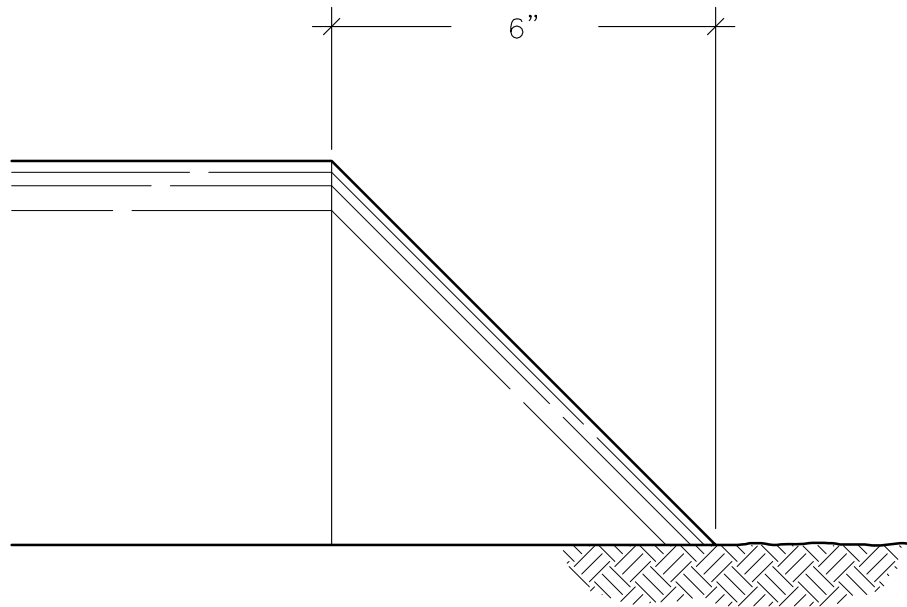


SECTION



SIDE VIEW OF END

REVISIONS	BY	APP	DATE
<i>New border</i>	<i>JDL</i>	<i>WAP</i>	<i>9-97</i>
<i>Metric conversion</i>	<i>SR</i>	<i>WAP</i>	<i>1-97</i>
<i>Type "3" to Type "B"</i>	<i>JDL</i>	<i>WAP</i>	<i>7-98</i>
STANDARD CURRENT AS OF: January 2010			



ASPHALT BERM
6"