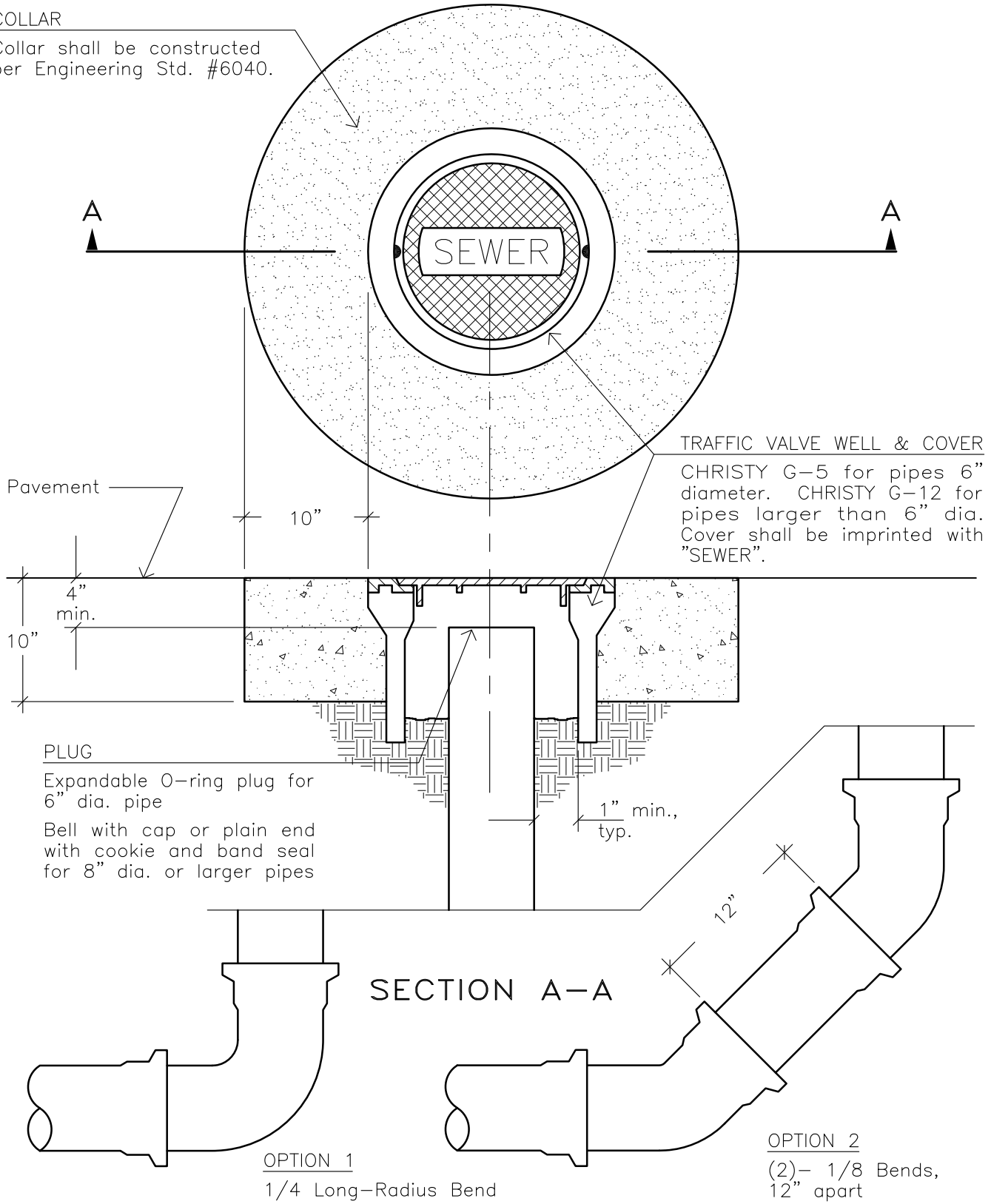


**COLLAR**

Collar shall be constructed per Engineering Std. #6040.



**PLUG**

Expandable O-ring plug for 6" dia. pipe  
 Bell with cap or plain end with cookie and band seal for 8" dia. or larger pipes

**SECTION A-A**

OPTION 1  
 1/4 Long-Radius Bend

OPTION 2  
 (2)- 1/8 Bends,  
 12" apart

**CLEANOUTS ARE NOT ALLOWED ON NEW CONSTRUCTION.**

REVISIONS	BY	APP	DATE
New border	JDL	WAP	9-97
Change "Collar" note	RMH	9-95	9-95
STANDARD CURRENT AS OF:		January 2010	



**SEWER CLEANOUT & WELL**

6710