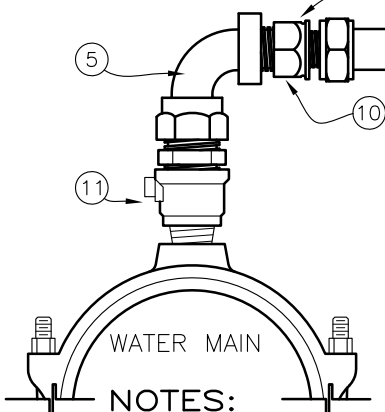


Connection plumbing to slope up towards Air Release Valve at minimum grade of 1%.



**NOTES:**

- ① Air/Vac Release Valve—APCO 143C (1") or 145C (2") or approved equal
- ② Nipple—brass, short
- ③ Ball valve—JONES J-1905
- ④ Nipple—brass, 10". Protect from contact with two layers of 3-mil tape.
- ⑤ Elbow—brass, 90°
- ⑥ Cadmium plated bent bolts 1/2" ø (typ. 3 places) with nuts
- ⑦ Angle—galv. steel 1 1/2" x 1 1/2" x 1/4", 2" long (typ. 3 places)
- ⑧ Copper tubing—Type K, soft. Encase in purple recycled water polyethylene warning sleeve when used for recycled water.

- ⑨ The assembly shall be set behind the sidewalk where adequate right of way exists and in all new developments. Where adequate right of way does not exist, the assembly should be setback behind the curb a minimum of 18" or behind the tile row in the Mission Sidewalk District. Where adequate space is not available between the assembly and the back of sidewalk to provide required ADA pass by clearance, approval of the location must be made by the City Engineer.
- ⑩ Coupling, Jones J2605SG or Mueller H-15428
- ⑪ Corporation stop—MUELLER B-2996 JONES J-1944
- ⑫ Street elbow—galv.
- ⑬ Nipple—10" galv.
- ⑭ Elbow—galv.
- ⑮ Nipple—10" galv.
- ⑯ 10 ga. steel, min. wall thickness of tubing
- ⑰ Paint with zinc-oxide primer and 2 coats of Sherwin Williams Emerald Ice (SW 4069). Use purple (Pantone 512) when used for recycled water.
- ⑱ Drill min. of six (6) 1/2" diameter holes on circumference evenly spaced
- ⑲ P.C.C. slab - 30" x 30" x 4" thick on 4" Class 3 Base
- ⑳ Attach Recycled Water Warning Tag and adhesive Decal per Std. 8810 when used for recycled water.
- ㉑ One #4 rebar hoop.

REVISIONS	BY	APP	DATE
Update 8, 17 Add 20	SR	BL	3-06
Update 4 & 17, add 21	DVB	BL	10-06
Compression fittings, misc.	SR	JDW	10-03
STANDARD CURRENT AS OF: January 2010			



**AIR/VAC RELEASE VALVE ASSEMBLY**  
1" & 2"

6360