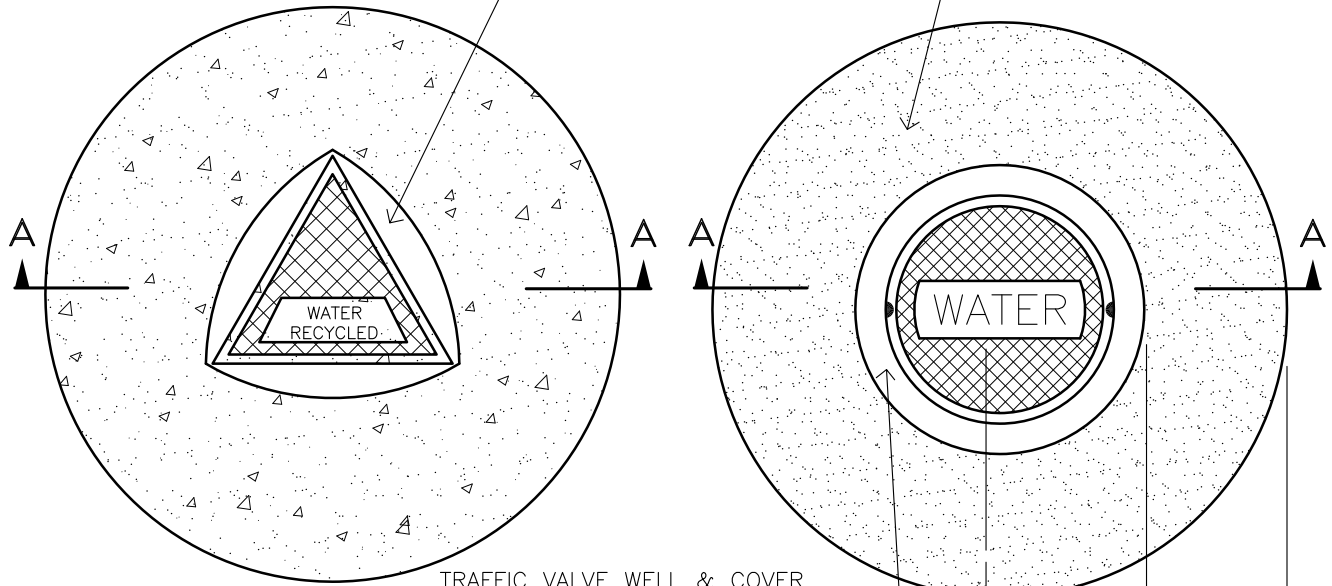


CHRISTY G-4, BROOKS 4-TT, or approved equal, imprinted with "RECYCLED WATER" when used for recycled water.

Collar shall be constructed per Engineering Standard #6040.



TRAFFIC VALVE WELL & COVER
CHRISTY G-5, or appv'd equal.
Cover shall be imprinted with "WATER".

Pavement

10"

10"

8" min. dia. riser, SDR 35 PVC, one continuous piece (no joints).

WATER VALVE

10" or Smaller Mains:

Gate valve, MJxMJ, resilient, seated with fully encapsulated gate, epoxy-coated inside and outside, full-size waterway, open to the left, non-rising stem with O-ring seals, 200 psi. working pressure, and meet AWWA C-509. AVK, CLOW F-6100 or approved equal.

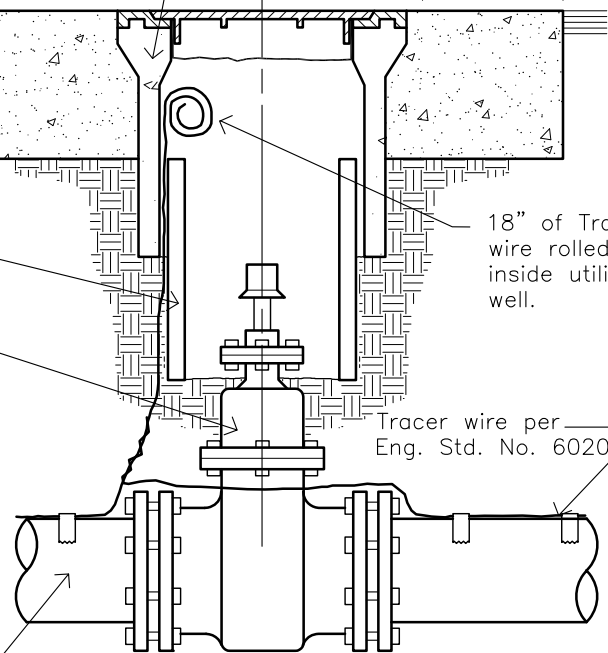
12" or Larger Mains:

MJxMJ, butterfly valve, Dresser 450, Mueller Line Seal III, or approved equal.

PVC waterline spigots (12" and larger shall be beveled on inside for butterfly valve vane clearance.

18" of Tracer wire rolled inside utility well.

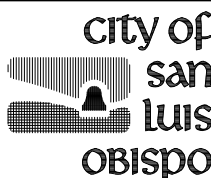
Tracer wire per Eng. Std. No. 6020



SECTION A-A

① 12" diameter, peel and stick paving fabric with rubberized asphalt composite membrane. Fabric shall have a strip tensile strength of 600 lbs/ft and puncture resistance of 200 lbs. Fabric shall be Petrotac or approved equal.

REVISIONS	BY	APP	DATE
Add recycled water cover	SR	BL	3-06
Added Notes	MH	BL	11-05
Riser dimension change	SR	JDW	10-03
STANDARD CURRENT AS OF:		January 2010	



WATER VALVE & WELL

6340