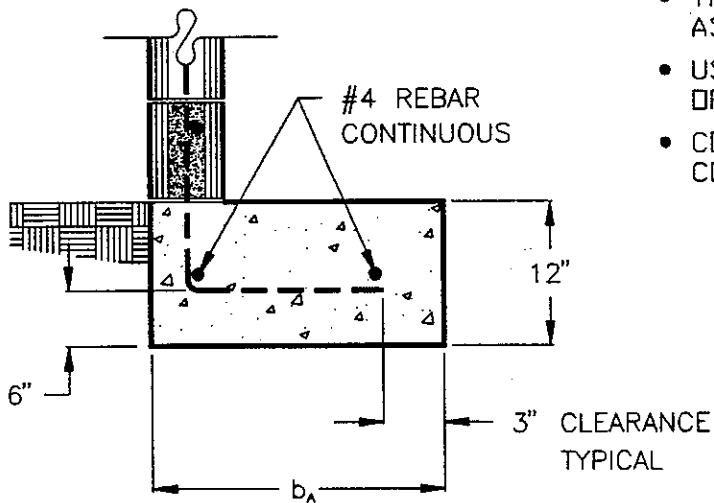


SECTION

NOTES:

- STEEL SPLICES SHALL BE LAPPED 20" MIN
- FILL ONLY CELLS CONTAINING STEEL WITH GROUT, INCLUDING BOND BEAM(S)
- ALL WALLS SHALL BE PLUMB AND ALL BLOCK COURSES SHALL BE LEVEL
- THIS WALL IS NOT TO BE USED AS A RETAINING WALL
- USE CONCRETE WITH MIN. STRENGTH OF 2000 PSI FOR FOOTING
- CONCRETE BLOCK SHALL CONFORM TO ASTM C90



ALT. FOOTING

H	VERTICAL REBAR SPACING	FOOTING DIMENSION	
		b	b_A
3' - 4'	48"	18"	24"
5'	48"	22"	28"
6'	40"	26"	34"